



TECHNICAL PARAMETERS



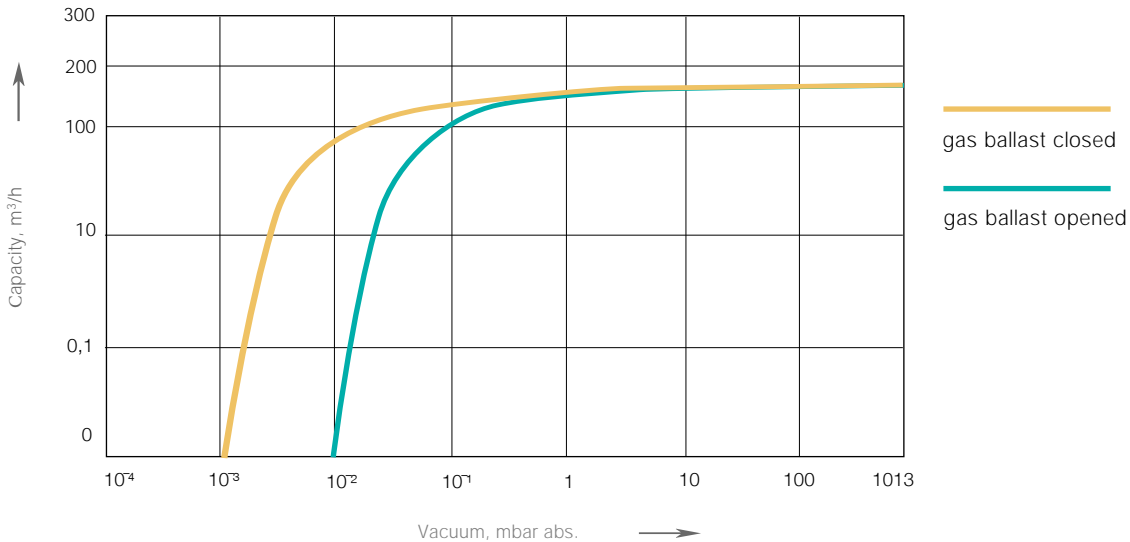
Nominal capacity, m <sup>3</sup> /h (l/min)	160 (2667)
Ultimate vacuum, mbar abs.	5x10 <sup>-3</sup>
Inlet / Outlet connection	DN 80 VG / DN 50 VG
Gearbox oil volume, l	20-25 (min-max)
Rotation speed, rpm	1440
Frequency, Hz	50
Motor power, kW	5,5
Sound pressure level, dB(A)	75
Total weight, kg	201

- two-stage with oil-lubrication
- with integrated check valve and gas ballast valve

RVLD two-stage rotary vane pumps with oil-lubrication are designed for efficient pumping, simple operation and easy maintenance. The pump body is made in aluminum, the connecting VG-flanges made in stainless steel are equipped with sealing O-rings. The pump has a integrated check valve and a gas ballast to set the limit of the maximum residual pressure (vacuum operating range).

RVLD vacuum pumps have a very wide application: in research and high-tech industries, for example, in the semiconductor industry, in the production of electronic devices, measuring instruments, light bulbs, in neon factories, in freeze drying, distillation, mass spectrometry. RVLD two-stage oil-lubricated pumps are also often used as a backing pump in high-vacuum units.

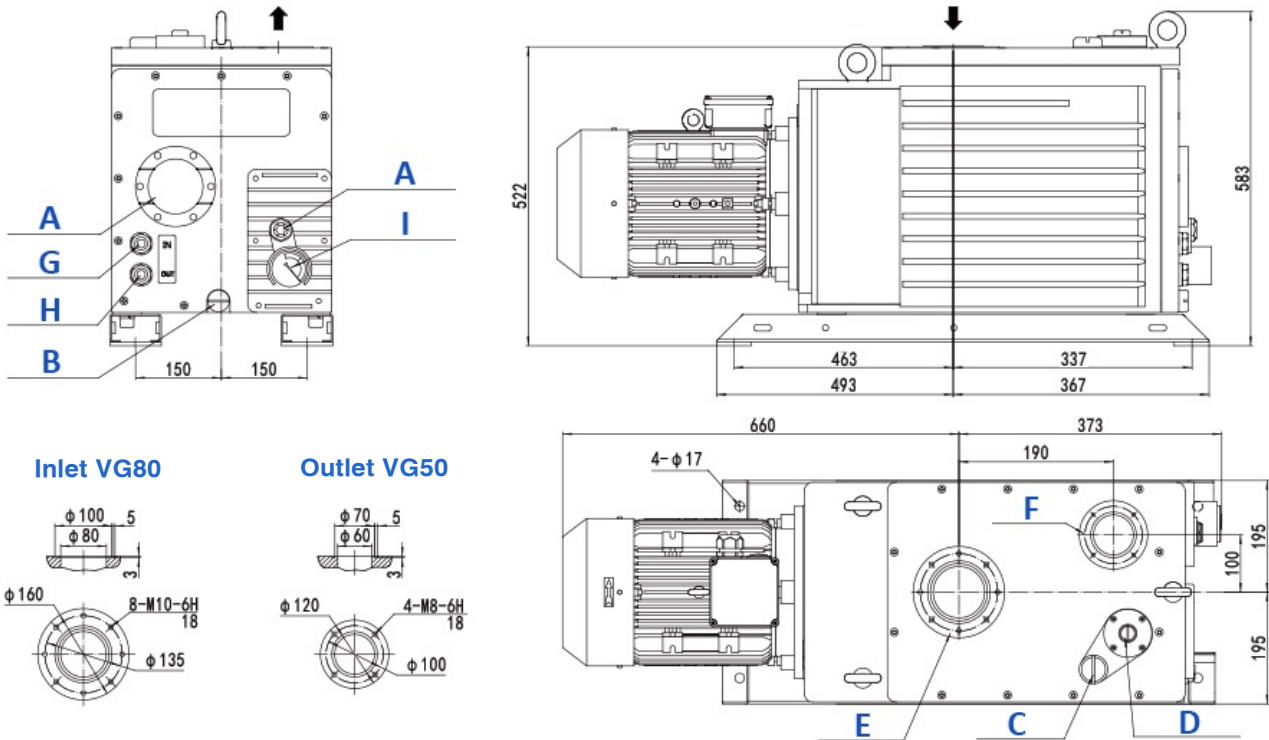
PUMPING SPEED



The given data are referred to dry air at the temperature of 20°C, at the atmospheric discharge pressure (1013 mbar). Performances tolerance ±10%.



The gas ballast valve has two positions: closed, open. The pump is self-cleaning and removes condensed gases from the oil by supplying fresh air to the second cylinder of the pump to prevent mist condensation.



All dimensions in the drawings are indicated in mm

A	B	C	D	E	F
Oil level sight glass	Drainage G 1/2"	Oil filling hole G 1"	Gas ballast valve G 3/8"	Inlet DN 80 VG	Outlet DN 50 VG
G	H	I			
Cooling water inlet G 3/8"	Cooling water outlet G 3/8"	Oil pressure gauge			

ADVANTAGES OF RVL D PUMPS

01

Improved system for preventing air leakage when the pumping process is stopped

02

The built-in oil mist filter reduces oil consumption and prevents environmental pollution

03

Constant pressure oil circulation system ensures stable operation under low vacuum

04

Low noise and vibration

05

Convenient control of the gas ballast valve

APPLICATION

RVL D two-stage oil-lubricated pumps are often used as a backing pump in high-vacuum units. This ensures high performance of the unit at consistently low vacuum values.

Applications: hardening furnaces, freeze-drying, high-tech production.

